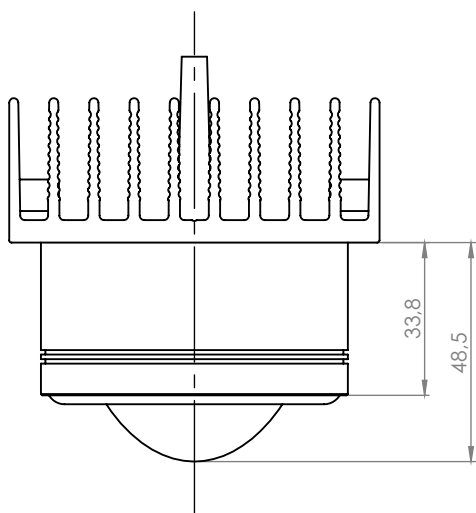
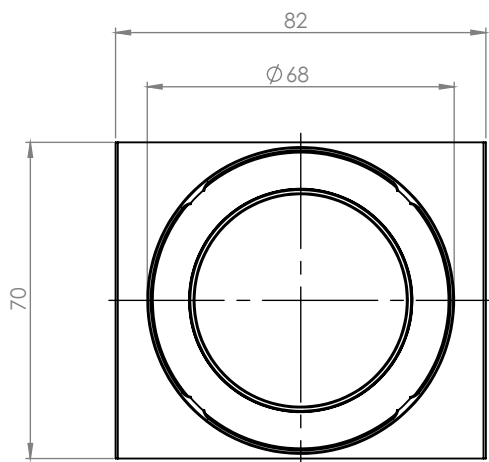
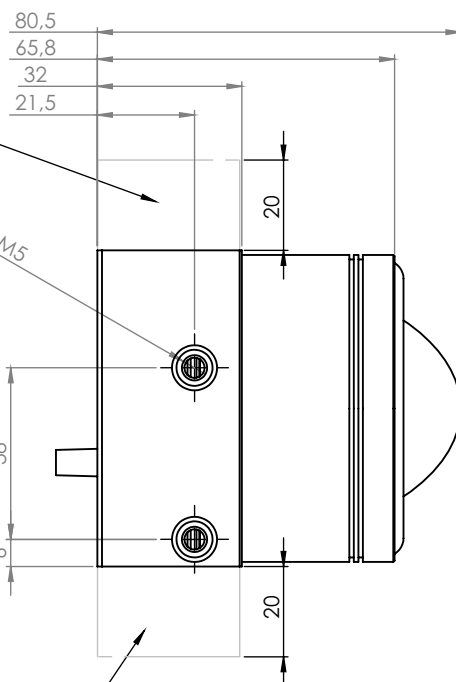


LSK XH1 HIGH BEAM MODULE



Keep this place clear to ensure perfect thermal condition for operation.

2 modules can be placed as close as possible.



Keep this place clear to ensure perfect thermal condition for operation.

2 modules can be placed as close as possible.